

USER MANUAL



Thank you for choosing Better Bathrooms.
Please read this manual before installing your product
and keep for future reference.

better 
bathrooms

Legend Open Back Toilet LEGOBPAN & LEGCISTCH/LEGCISTBB/LEGCISMB



Single-person assembly

- Tools required
- We always recommend using professional tradespeople to install your product

V1_18.10.24

Congratulations on your purchase

And welcome to our growing gang of savvy shoppers

We're on a mission to bring you extraordinary bathroom products, for less. From modern to traditional style ceramics, plus the gorgeous fixtures, fittings and furniture to match. So, you can fall in love with your space every single day.

As one of the UK's largest independent bathroom stores, we've received countless awards; including the National Business Awards UK, the Digital Entrepreneur Awards and being placed on The Sunday Times Fast Track 100.

We hope your new product goes above and beyond your expectations. However, should any problems occur, please:

- log in to your account and contact our customer services team via your self-serve portal – betterbathrooms.com/CustomerAccount/Login
- contact us via betterbathrooms.com/content/contact-us

Important information

- Please read these instructions thoroughly and retain for future reference
- Always check for pipes and cables before drilling

Contents

- Component Listing
- Technical Drawing
- Tools Required
- Installation Instructions
- Troubleshooting
- Maintenance, Care & Cleaning

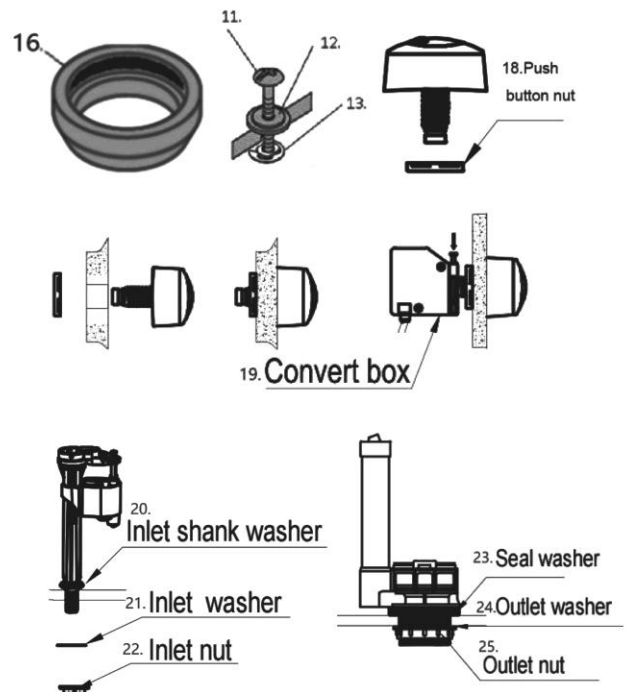
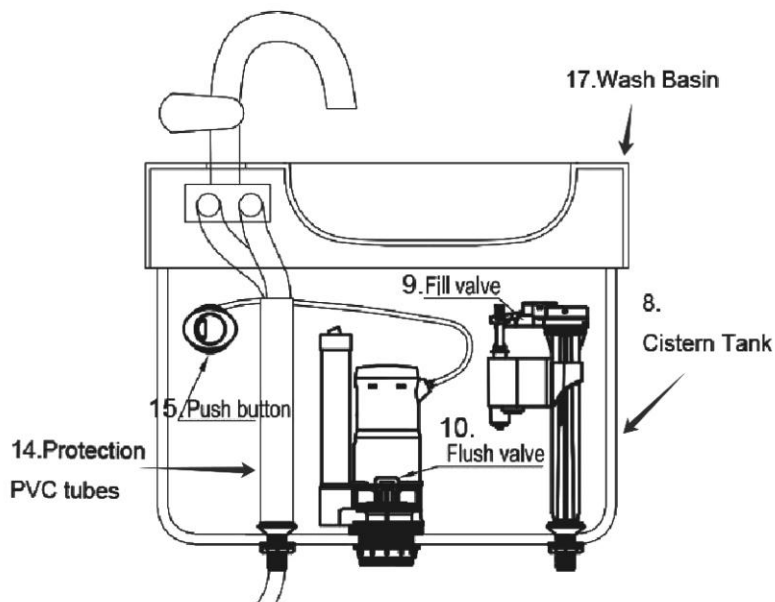
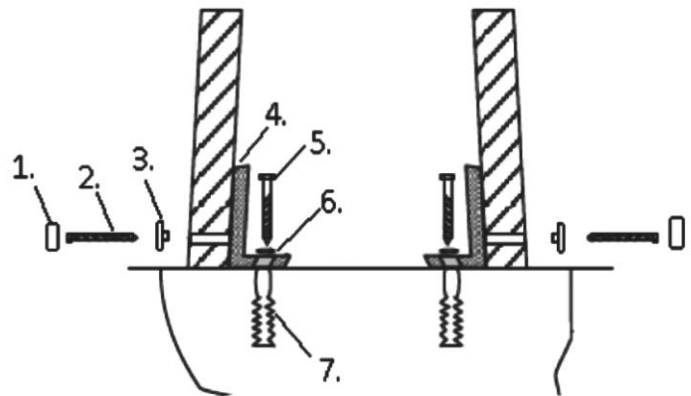
Component Listing

Toilet Pan (number 10 below)

Seat

Floor fixing kit (below components)

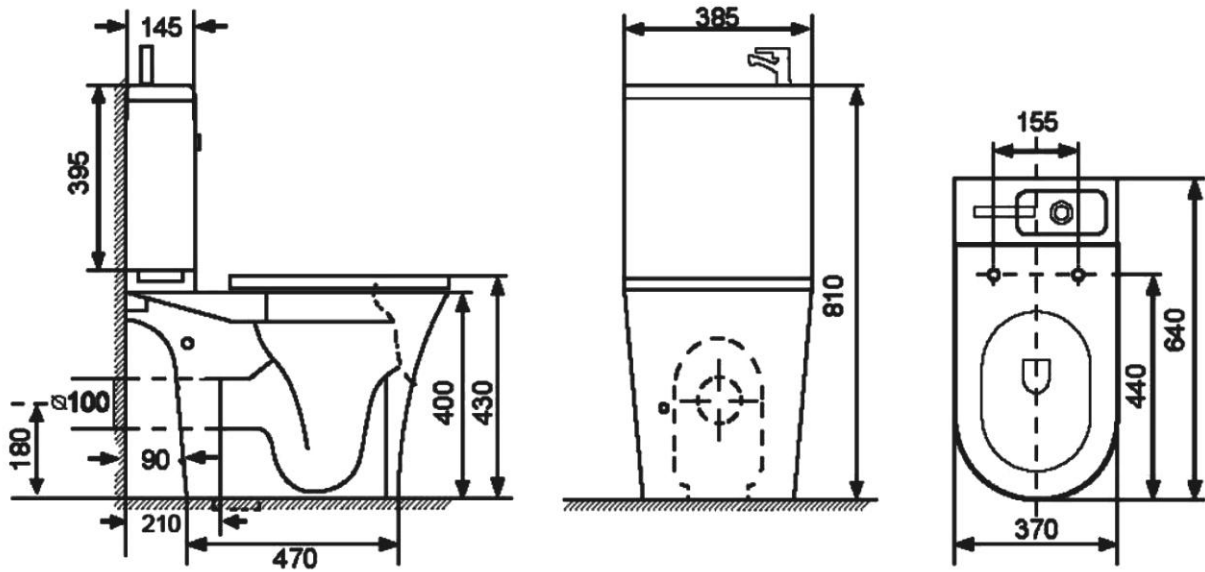
1. Screw cover
2. Bracket to pan fixing screw
3. Screw cup
4. Floor fixing 'L shaped' bracket
5. Floor screw
6. Screw washer
7. Screw plug



Cistern(components below)

- | | |
|-----------------------------------------------------------|-------------------------------|
| 8. Cistern Tank | 17. Wash Basin |
| 9. Fill Valve with washer, seal and nut | 18. Push button nut |
| 10. Flush Valve | 19. Button convert box |
| 11. Cistern bolt | 20. Inlet shank washer |
| 12. Cistern bolt seal | 21. Inlet washer |
| 13. Cistern bolt nut | 22. Inlet nut |
| 14. 2 * Protection PVC tubes for water incoming of faucet | 23. Flush valve Seal washer |
| 15. Push Button | 24. Flush valve Outlet washer |
| 16. Doughnut Washer | 25. Flush valve Outlet nut |

Technical Drawing

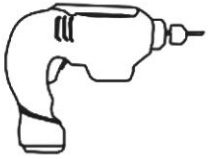
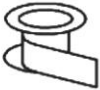
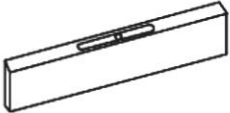

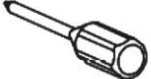


Tools Required

Safety Notice:

Prior to drilling into walls, check there are no hidden electrical wires, cables or water supply pipes. Always wear protective equipment such as safety glasses and hearing protection whilst using power tools.

Tools for installation (not supplied)

		
Electric drill	PTFE Tape	Spirit Level
		
Wrench	Screw driver	

Installation Instructions

Installation

Please note: Before starting any installation, turn off the water supply

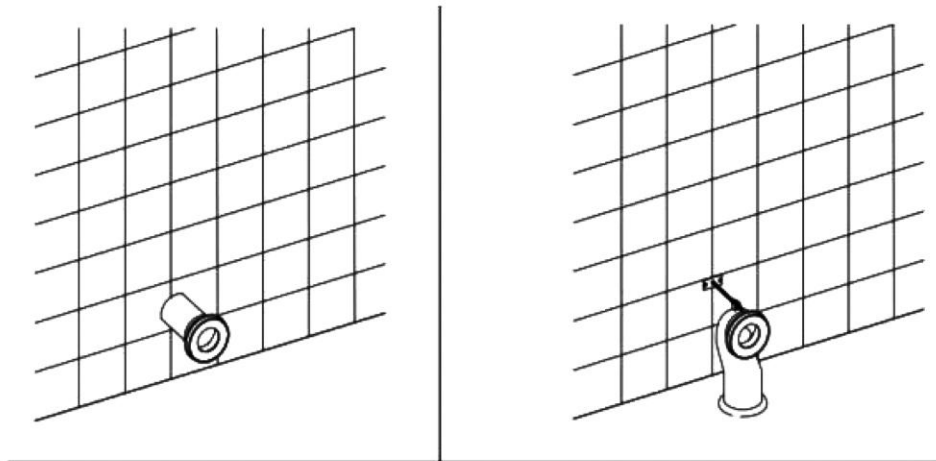
Please note: Whenever possible and when safe to do so, it is recommended to carry out leak tests during the installation process

Pan Connector

The pan connector should be prepared for connection to the toilet being installed.

Please note: Pan connector (waste pipe) may need to be purchased separately if a new installation

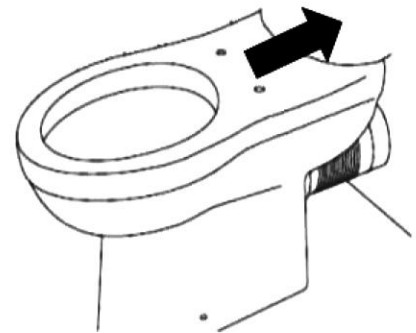
Depending on your toilet, the pan connector could be installed through the wall, floor right and/or left.



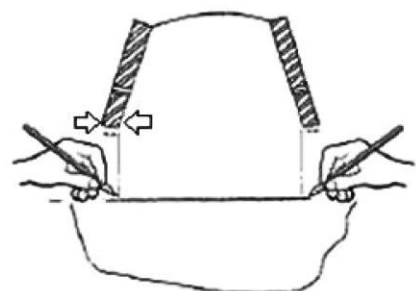
Please note: Pan connector is not included.

Close Coupled Toilet Pan Fitting

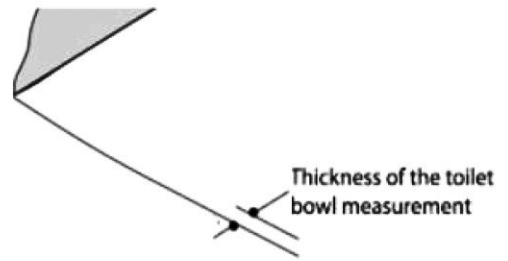
1. Once the pan connector pipe is prepared, add a small amount of lubricant (washing up liquid) to the seal, then push the toilet into the require position, with the pan connector fully connected to the soil pipe (spigot).



2. Ensure that the toilet pan is level and fully backed against the wall, then mark on the outer edge of the pan (at both sides), align with each fixing hole located in the side wall of the toilet pan.

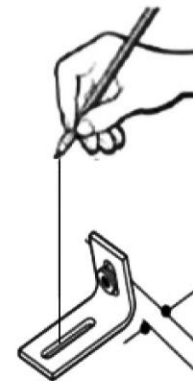


3. Remove the pan from the location, then measure the thickness of the toilet sidewall and make another mark in from the original mark, and in line with the fixing hole. Repeat on the other side.

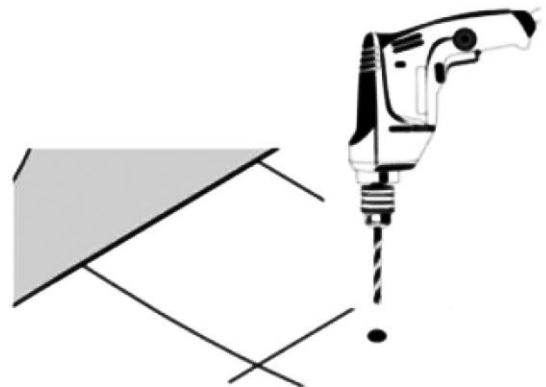


4. If using the 'L' shaped bracket assembly, place the front edge of the bracket on the inside mark, then mark the screw hole position to secure the bracket to the floor. Repeat on the other side.

Please Note: For toilets which secure through the toilet directly into the floor, the 'L shaped' bracket is not used

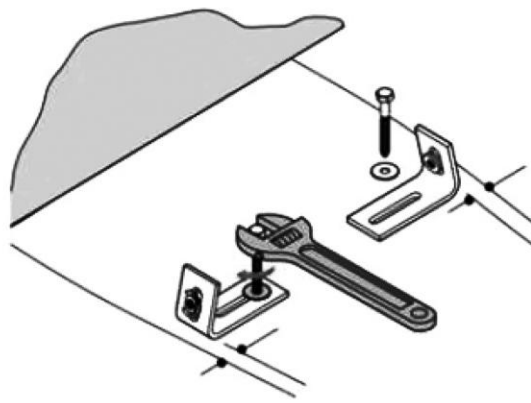
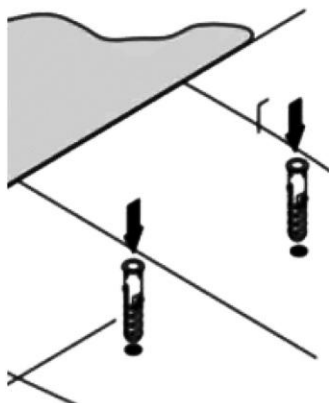


5. Remove the brackets and drill the holes, ensuring that no pipes or cables can be damaged.



6. If fitting into a solid floor, you will need to install the screw plugs and tap flush to the floor, then place the brackets over the drilled holes/plugs and insert the screws and washers through the brackets and secure into position.

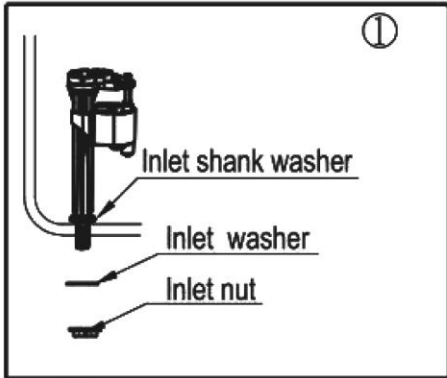
Please note: Depending on the specification, this may be a screwdriver slot, not a spanner fitting



Cistern Installation

Steps

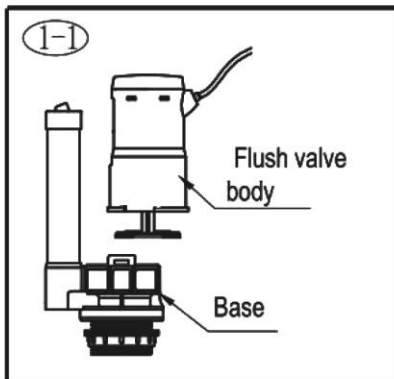
1. Preparation Clean the tank and pipe.
2. Installation of fill valve



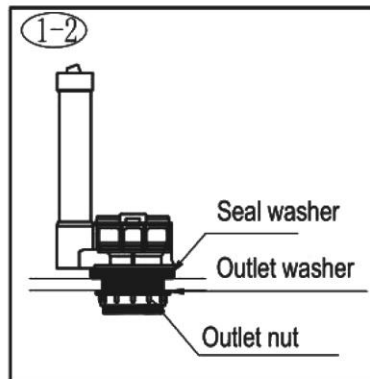
Take off the inlet nut and inlet washer, insert the inlet screw into the tank inlet hole, re-assemble the inlet nut and inlet washer, adjust the fill valve and tighten the nut.

3. Installation of flush valve

1. flush valve for 2-pc toilet

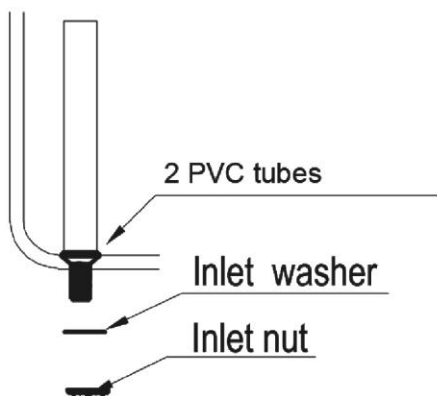


Twist the valve body out of the base.

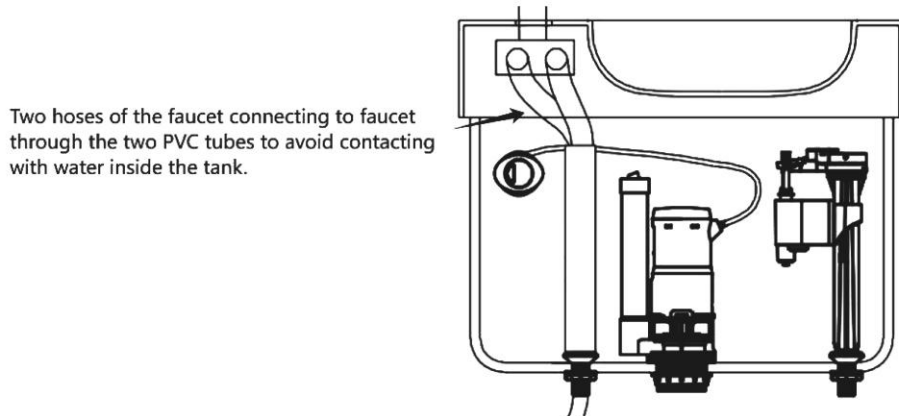


Disassemble outlet nut, outlet washer for flush valve installation. Position the valve inside tank. Push down on the valve body while attaching outlet washer and tightening outlet nut. Make sure the seal washer touches surface of cistern firmly.

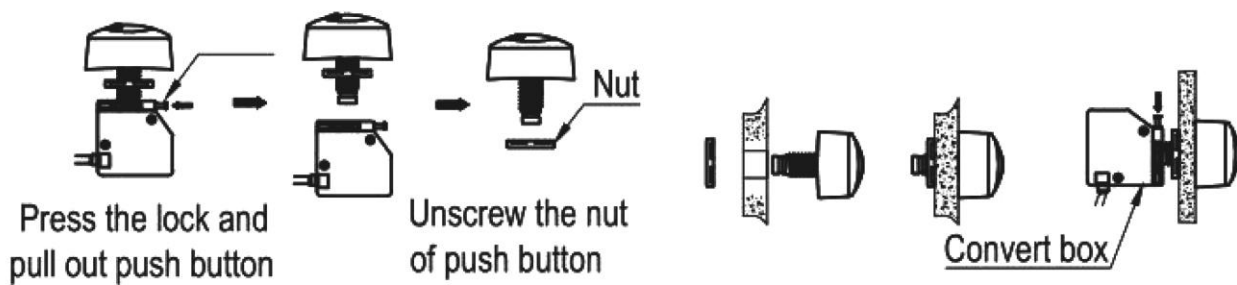
4. Installation of the 2 PVC tubes



5. Connect two hoses of the faucet(one for cold water, one for warm water) to the faucet through the two PVC tubes, in this way to avoid direct contact with the water inside the tank.

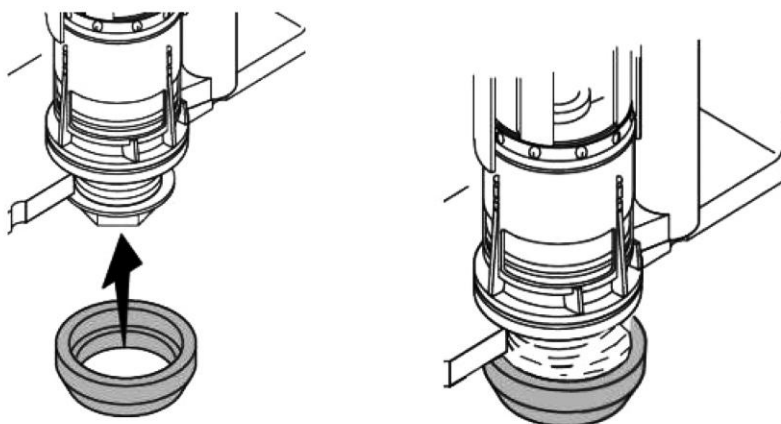


6. Installation of the button

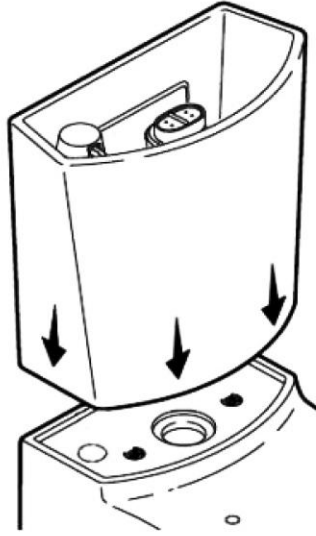


Insert push button into the tank front hole, screw and tighten the nut. Press the lock of convert box and push down the push button.

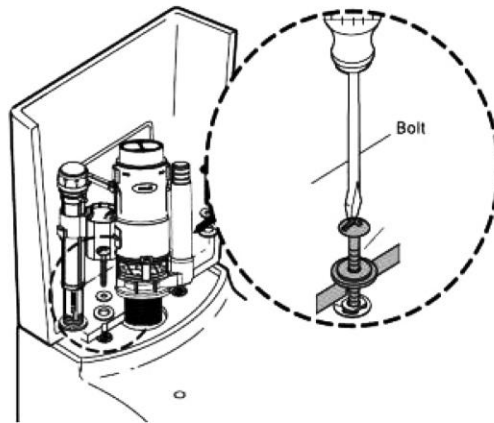
7. Fit the thick doughnut washer to the tail of the syphon and ensure this is fully surrounding the nut.



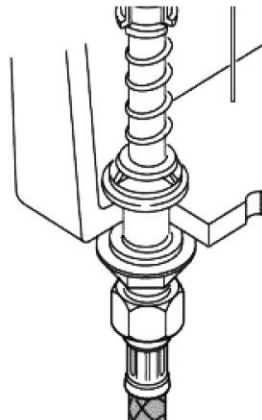
8. Position the cistern tank onto the toilet, allowing the cistern bolts to pass through the holes (1) in the toilet pan, so the inlet valve thread passes through the hole (2) in the toilet pan, and so the doughnut washer sits inside the recess (3).



9. From underneath the cistern, fit the nut to the cistern bolt, and using a screwdriver tighten the cistern bolts, do not overtighten.



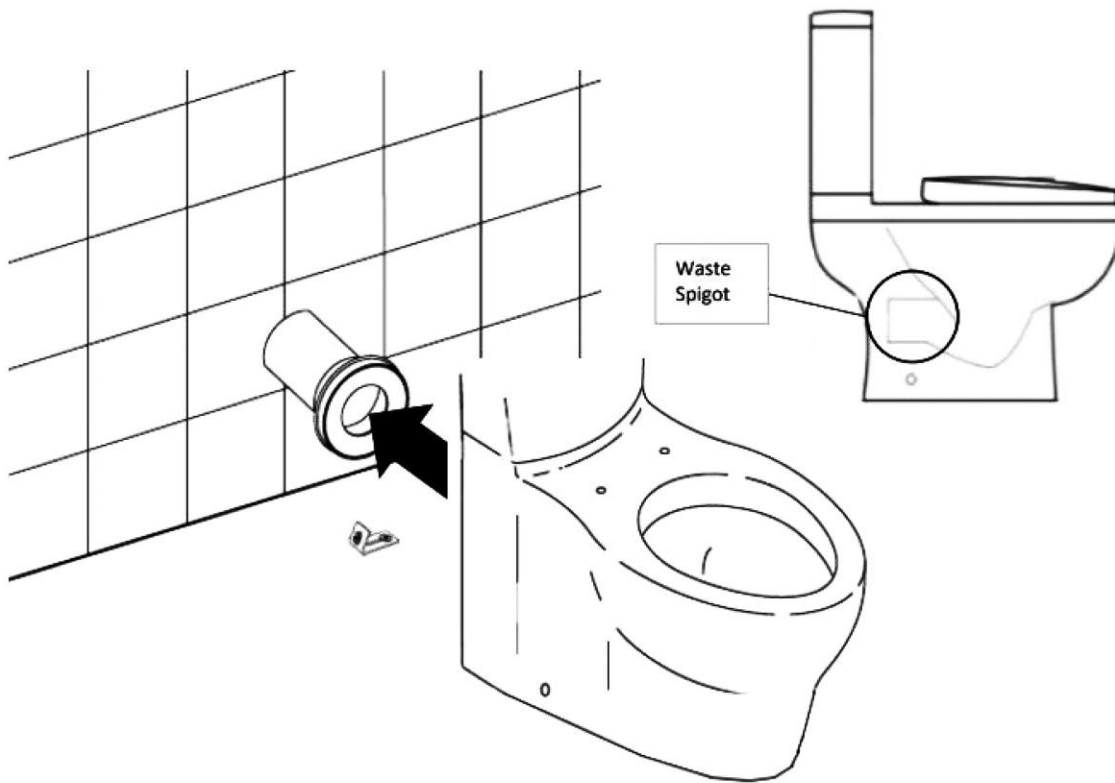
10. From underneath the tank, fit the washer and nut, and tighten, do not overtighten. Connect the water supply pipe which should be a 1/2" female flat-faced connector. Ensure to use a seal.



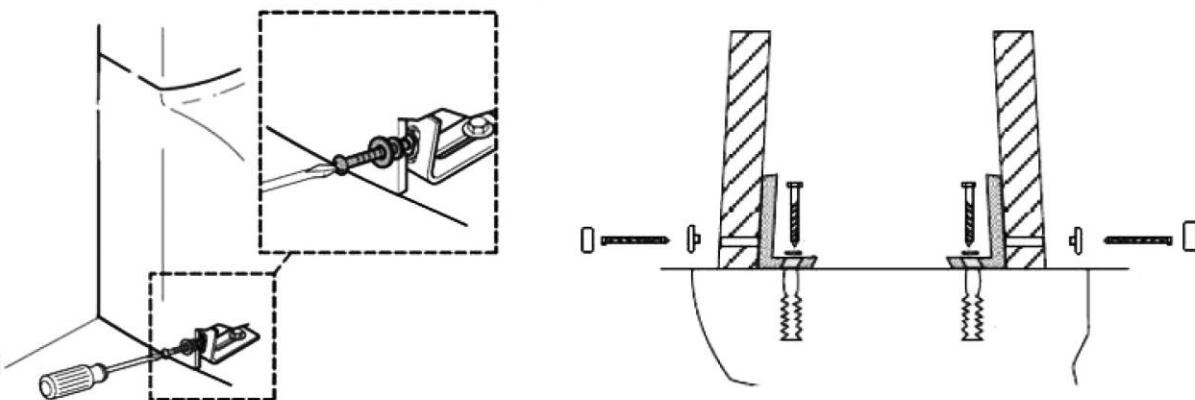
11. For installation of basin mixer, please refer to basin mixer installation manual

Re-fitting the Toilet Pan

1. After securing the brackets, re-fit the toilet pan and push the waste spigot onto the pan connector, and align the fixing holes with the floor brackets, add a small amount of lubricant (washing up liquid) to assist.



2. Once aligned, secure the toilet pan into position using the fixings provided, do not overtighten. Finish by pushing on the screw covers.



3. Once the installation is completed, a small bead of silicone can be applied around the bottom edge of the toilet pan to finish.

Trouble Shooting Guide

1. Flush Valve

No.	Issue	Possible Reason	Solution
1	Water leaking from outlet	Valve not installed correctly	Check installation and re-tighten
2	Water leaking from flapper seal	Broken washer; Debris on washer / flapper	Change washer; Clean washer with warm water so surface is clear
3	Flush volume inconsistent	Float / Slider setting incorrect	Make adjustment to float & slider position
4	Flush valve not working	Push rod incorrect height	Adjust Push rod to correct height

2. Fill Valve

No.	Issue	Possible Reason	Solution
1	Erratic or no water fill	Blockage in water supply; In-correct float valve adjustment	Check both fill valve and water supply line for blockage; Adjust float valve to correct position
2	Water level too high / low	in-correct float position	Adjust float valve to correct position
3	Water leaking from base of fill valve	Fault with in-et installation (loose). Surface of cistern un-even	Check screw for fitment and retighten if necessary; Contact your ceramic supplier

Maintenance, Care & Cleaning

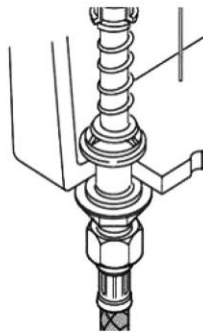
Maintenance

Please note: Turn off the water supply and flush the toilet to drain away the water in the tank, it is also recommended to have a bucket under the tank to catch draining water

Please note: Depending on the toilet design you may need to remove the toilet pan from its location to access the inlet valve water supply nut and retaining nut

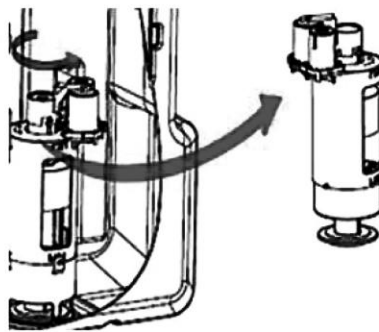
To replace the inlet valve

Disconnect the water supply from the inlet valve, then remove the inlet valve by unscrewing the nut on the underside of the cistern tank and remove the cistern tank lid and pull the inlet valve from the tank. Once replaced, ensure all seals are re-fitted.



To replace the syphon

This should only require the top section to be replaced. Grab the syphon and turn anti-clockwise and then lift. Upon replacing, ensure that the syphon clicks back into position and the flush buttons are aligned with the correct button on the syphon.



Cleaning

To maintain the surface finish of your product, wipe clean after every use, using a clean damp cloth, a mild detergent mixture can be used. Do not use abrasive cleaning agents or materials which can strip and scratch the surface; the use of these agents or materials can invalidate your guarantee.

For more information

- visit betterbathrooms.com
- email customerservices@buyitdirect.co.uk
- call 0330 390 3062
- write to Trident Business Park, Neptune Way, Huddersfield, HD2 1UA

**better
bathrooms**

Part of the BuyItDirect Group